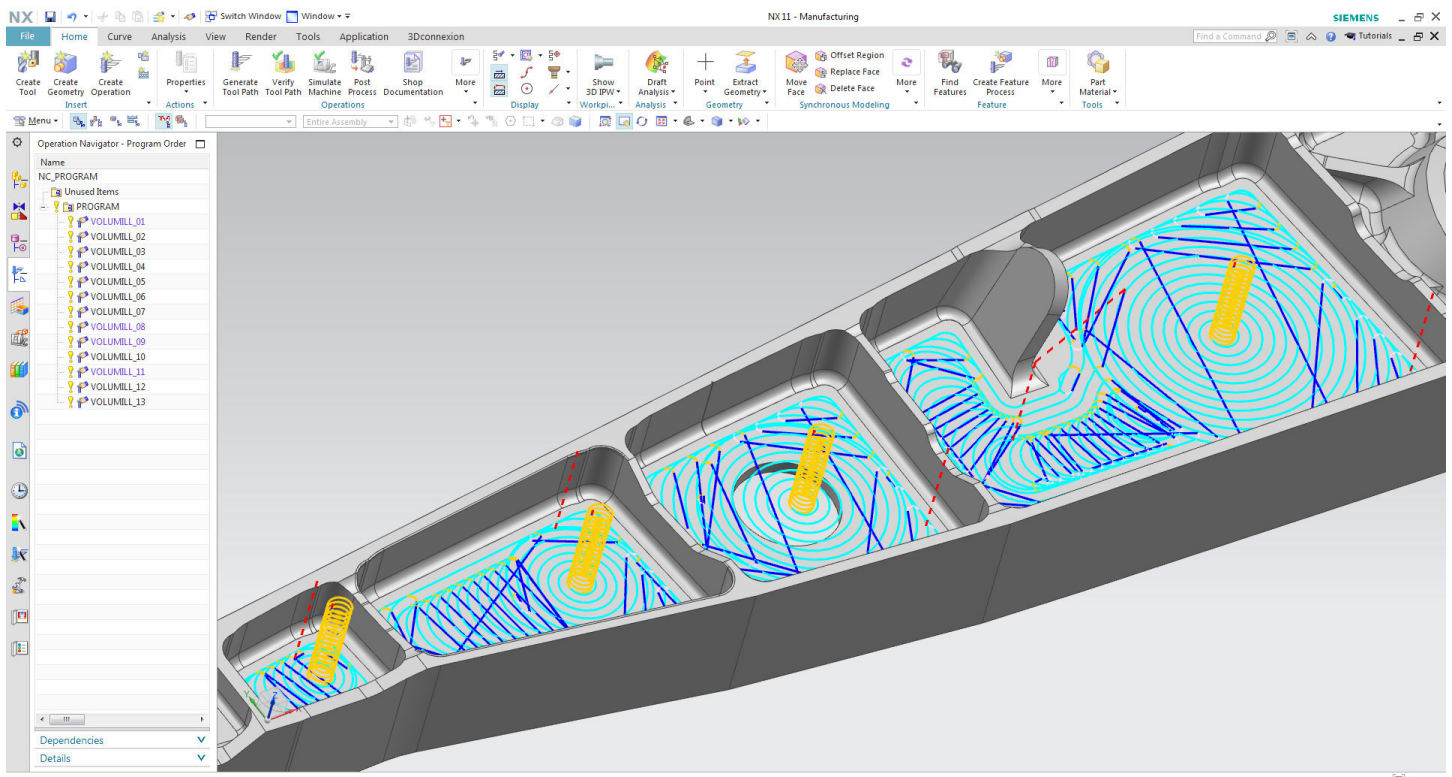


Introducing volumill 2018

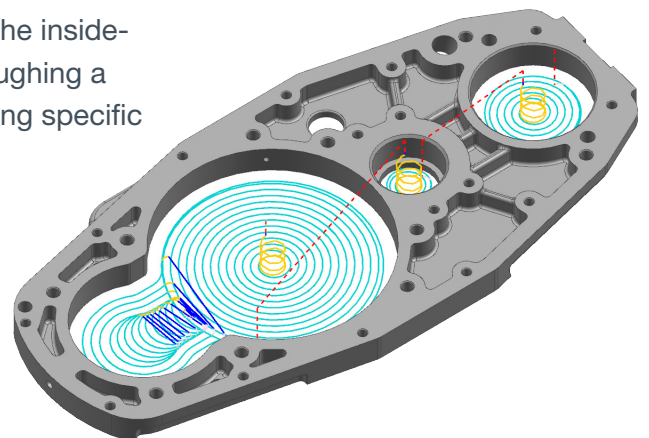
Celeritive's proven, science-based rough-milling solution for **SIEMENS NX CAM**

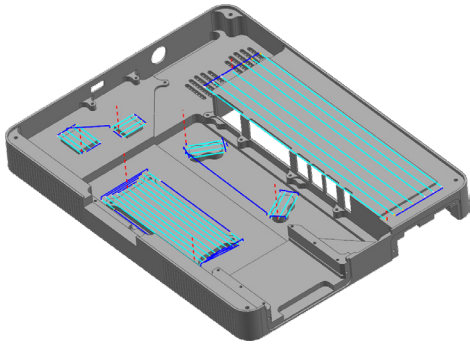


Easily create science-based toolpaths – increase productivity and reduce costs

VoluMill is the fastest, most cost effective method of bulk-material removal for all non-finishing milling operations. Whether milling from the inside-out, outside-in, top-to-bottom, or bottom-to-top, whether roughing a part completely in a single operation, or strategically machining specific features, VoluMill is the best tool for the job.

- Proven technology that increases productivity
- Any part, any material
- Integrated with Siemens NX CAM & CAM Express
- Powerful & easy to use
- With ACTC™ (Active Chip Thickness Control)

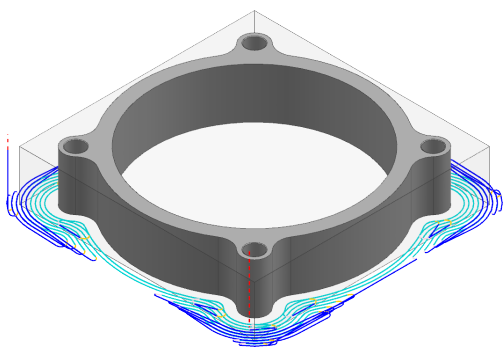




ANY PART

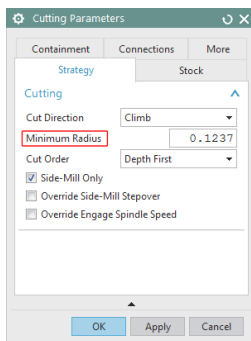
VoluMill is perfect for the airframe, automotive, mold & die, medical, machinery component, and consumer-products markets, for all roughing needs on free-form or prismatic parts.

- ✓ Complete hog-outs; cores; cavities
- ✓ Multiple or individual pockets; steps; channels; slots; notches; etc.



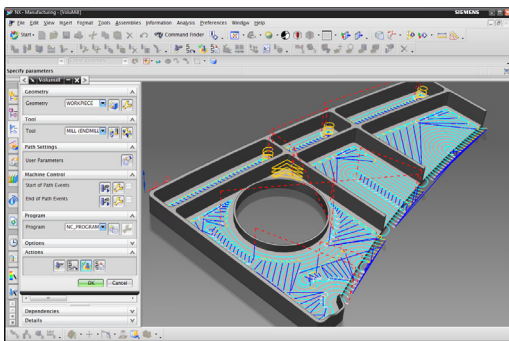
ANY MATERIAL

VoluMill's constant material removal rates enable machine tools and cutting tools to operate under ideal milling conditions throughout, regardless of a part's shape or complexity. Rough milling performance is significantly increased in all materials, from aluminum, to titanium, to exotics.



EASY-TO-USE

Generating ultra high-performance toolpaths with VoluMill is fast and simple. There are minimal mouse clicks required, and very few decisions to make, yet you remain in full control. Whether you want to rough an entire part with a single toolpath, or you need to follow a precise material removal plan, VoluMill works with you to get your job done quickly and reliably.



SEAMLESS INTEGRATION

VoluMill is tightly integrated with Siemens NX and CAM Express. There is no disruption to your current workflow. The task-focused toolpaths significantly reduce programming time and perform much better than traditional toolpaths where it counts most, on the shop floor.

For more information, please contact Celeritive Technologies at www.celeritive.com, or call us at +1 888-253-6701